



Redefining The Way You Experience Sound™

AWS-6



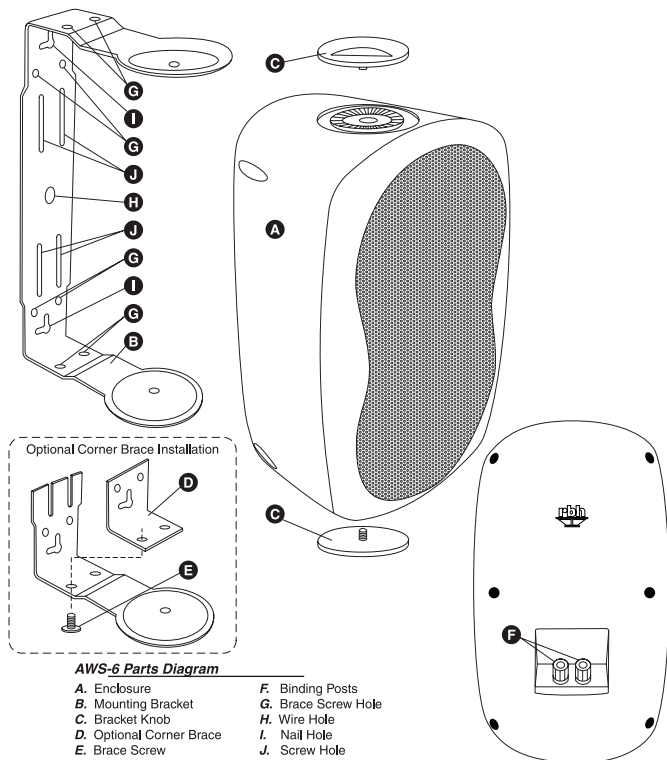
2-Way Indoor/Outdoor Loudspeaker System
Installation & Operation Manual

Introduction

Congratulations on your purchase of the RBH **AWS-6** loudspeakers! Your loudspeakers are the result of many years of research and development dedicated to producing high quality products for home audio and audio/video systems.

This manual contains features, setup recommendations and specifications for the RBH **AWS-6** loudspeaker. We recommend you thoroughly read through the material contained in this manual before connecting your loudspeakers. This will insure you have a good understanding of how to setup your speakers for optimum performance and allow for years of listening enjoyment indoors or out.

Parts Guide



Features

The cabinet of the **AWS-6** is constructed of impact resistant ABS plastic that is sealed to provide resistance from the natural elements of the weather. The rounded back is for easy placement into a corner. All hardware parts are made from brass, aluminum or stainless steel and the binding posts are plastic to avoid rusting and/or corrosion.

For high frequencies, a 1" mylar dome tweeter is used. This tweeter uses Ferro Fluid™ liquid cooling to allow greater power handling. For midrange and bass reproduction a long throw 6½" polygraphite woofer with a butyl rubber surround is used.

Steep acoustic slope crossovers are used to integrate drivers. The use of steep crossover slopes allows high power handling, minimizes driver interaction anomalies, and maximizes the clarity with which each driver is able to produce its respective frequency band.

The bracket for the **AWS-6** allows the speaker to be hung either horizontally or vertically, can be mounted several different ways and swivels for optimum placement.

System Setup and Placement

In order to extract the best possible sound from your speaker system, it is important to determine where the speakers will sound best in your listening area. Reflections from the floor, ceiling and side walls influence the balance, imaging and overall sonic quality at the listening position. We suggest you experiment with speaker placement to determine which location offers the best overall sound and protection from direct weather elements.

The distance from the listening position to each speaker should be close to the distance that separates the two main speakers. Angling the speakers inward towards the listening position may give a more spacious and realistic sound stage.

Placing the speakers in a corner or under an eave will provide reinforcement for the bass frequencies, resulting in higher bass output. Placing the speakers away from any corners or walls will provide the least amount of reinforcement, resulting in lower bass output.

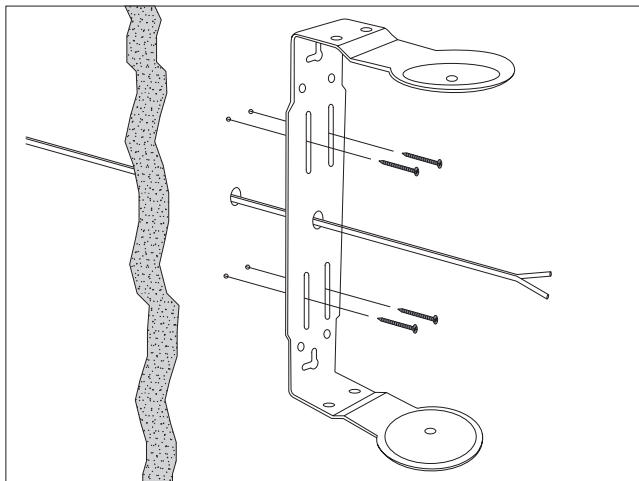


Installation

As mentioned earlier in this manual, the bracket has the ability to be mounted a variety of different ways. To elaborate on this, it may be mounted with either nails or screws, horizontally or vertically. There is a hole in the center of the bracket to allow speaker wire through so it may be properly attached to the speaker.

You will notice two corner support brackets included in the packaging. These slide into the corners of the bracket and are attached with the stainless steel machine screws provided. We recommend these extra brackets be used any-time the speakers are mounted to a structure that creates motion (such as a boat or R.V.) or when any type of reinforcement is needed.

It is best to consult your local RBH dealer or installer with any further ques-



Mounting & Connections

A. The **AWS-6** can be mounted either horizontally or vertically. Hold the bracket against the mounting surface, so you can mark the locations of the mounting holes, and the wire hole (see Parts Guide).

B. Drill corresponding pilot holes for the included mounting screws or nails (not included), and a hole large enough for speaker wire to pass through.

C. Pull speaker wire through the hole and through the bracket, aligning the bracket with the pilot holes.

D. Use hardware to attach the bracket to the mounting surface.

E. Use the bracket knobs to attach the **AWS-6** to the bracket, being careful to not tighten the knobs; this will allow the **AWS-6** to be angled slightly so the rear binding posts are accessible (see Parts Guide).

F. Connect one wire to the black terminal and one to the red terminal, paying close attention to the markings on the wire for proper polarity. Each speaker must be connected to the amplifier in the same way.

G. Adjust the **AWS-6** for desired position and tighten the bracket knobs.

Break-in Period*

Plan on giving your speakers 10-15 hours of playing time to adequately “break in.” During this time period the driver suspension will loosen up. The result will be an increase in low frequency response and improved definition.

*NOTE: This is an important step that is most often disregarded. Allowing your speakers the specified “break in” period can prolong the life of your speakers and enhance their tonal qualities as mentioned above.

Operation

We recommend an amplifier with an output power rating of 25-100 watts per channel. This will help to protect the speaker from being under or over driven, which could cause permanent damage.

When listening to the speakers outdoors, keep in mind that there are very few walls to reinforce the sound. Therefore, be careful not to drive the speakers beyond what they are capable when trying to obtain a desired volume level. You will be able to determine audibly when the speaker is being overdriven by the “break-up” or distortion that is coming from the speaker.



Troubleshooting

Situation:	Probable Cause:	Solution:
No sound from speakers	Speaker wire not connected	Make sure wire is connected at both the speaker and the amplifier observing proper polarity
	Speaker selector on amplifier is not on	Activate proper selector on amplifier
No sound from one speaker	Balance control on receiver or pre-amp is not centered	Place balance control in the center
	Speaker wire not securely connected	Check all connections at amplifier and speakers
Very little bass and/or imaging	Speakers are wired out of phase	Check entire system for proper polarity and make adjustments as necessary

Specifications

Frequency Response:	60 Hz - 20kHz \pm 3 dB
Sensitivity:	87 dB (2.83V @ 1 Meter)
Power Handling:	120 Watts
Drive Units:	1) ½" Mylar Dome Tweeter 1) 6½" PolyGraphite Woofer
Impedance:	8 Ohms
Finish:	ABS plastic
Dimensions:	12¾"H x 7¾"W x 7½"D
Weight:	8 Lbs. with bracket
Available Colors:	White and Black



Limited Warranty Information

Your RBH Sound **AWS-6** loudspeaker is covered by a limited warranty against defects in materials and workmanship for a period of five (5) years from the original date of purchase. This warranty is provided by the authorized RBH Sound dealer where the loudspeaker was purchased. Warranty repair will be performed only when your purchase receipt is presented as proof of ownership and date of purchase. Defective parts will be repaired or replaced without charge by your dealer's store or the location designated by your dealer that is authorized to service RBH products. Charges for unauthorized service and transportation cost are not reimbursable under this warranty. This warranty becomes void if the product has been damaged by alteration, misuse or neglect. The warrantor assumes no liability for property damage or any other incidental or consequential damage whatsoever which may result from the failure of this product. Any and all warranties of merchantability and fitness implied by law are limited to the duration of this express warranty. Some states do not allow limitations on how long an implied warranty lasts, so the above limitations may not apply to you. Some states do not allow the exclusion or limitation of incidental or consequential damages, so the above limitation or exclusion may not apply to you.



Redefining The Way You Experience Sound™



RBH Sound, Inc. _____

976 N. Marshall • Bldg. 2, #4

Layton, Utah • USA • 84041

Toll Free: (800) 543-2200 • Fax: (801) 543-3300

www.rbhsound.com